

Battery Charger

SM SERIES

FEATURES

- Robust built
- Easy Installation
- Configurable output
- Easy Maintenance
- Customisable Structure



 **SMEC**
Automation Pvt. Ltd.

www.smec.in

sales@smec.in

INDIA

SMEC Automation Pvt Ltd
Mumbai, Kochi, Chennai
Vizag, Mangalore

☎ +91 484 3511105

☎ 1800 8902 714

OVERSEAS

SMEC Marine Solutions LLC
DUBAI-UAE
SMEC Automation Pte Ltd
SINGAPORE



The SMEC Designed Battery Charger is specifically designed to cater for the requirements in marine environment and supports the emergency power requirements arising for specifically for control supplies which may hinder the operational capability of the vessel. It also can be used as a support system in case of similar requirements.

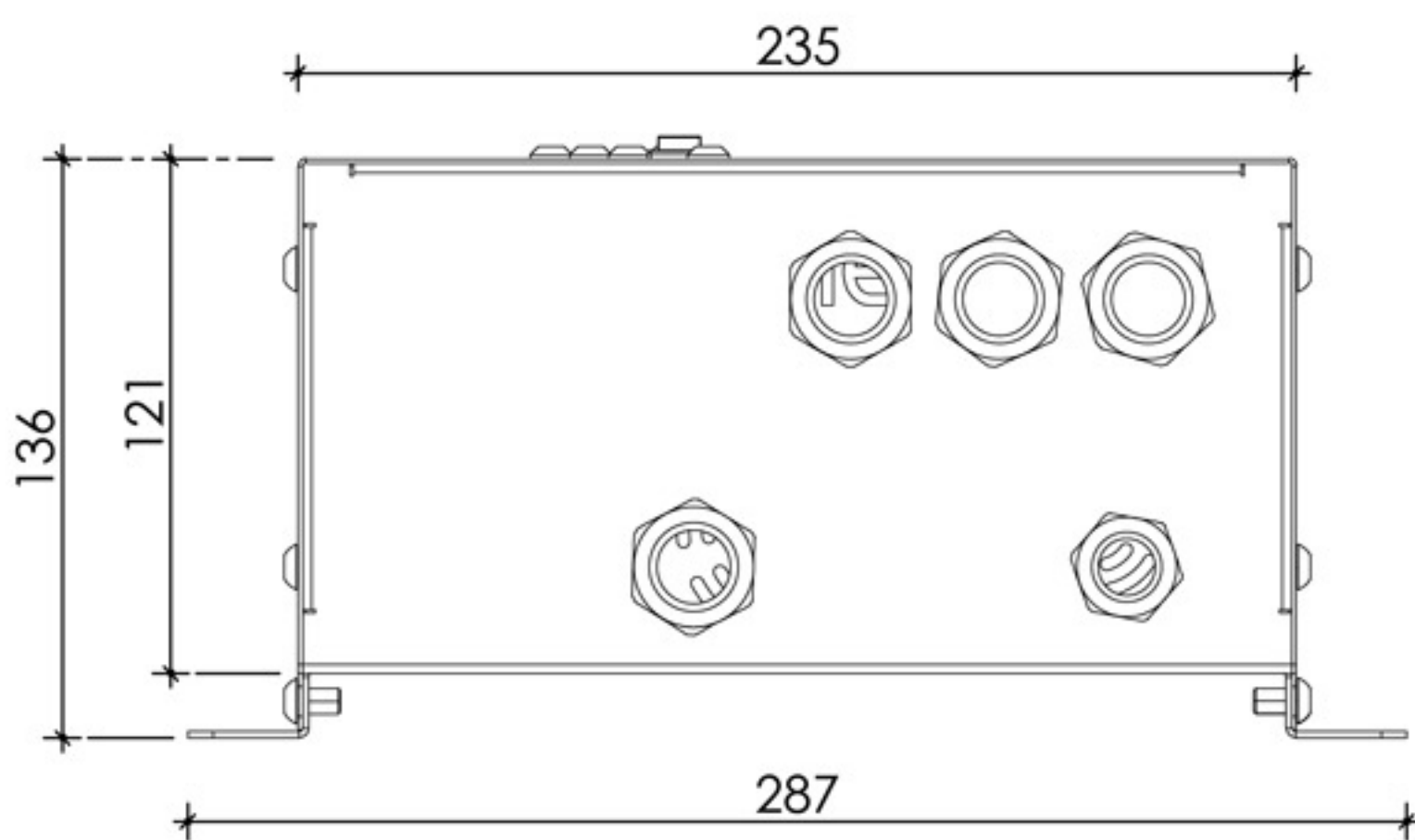
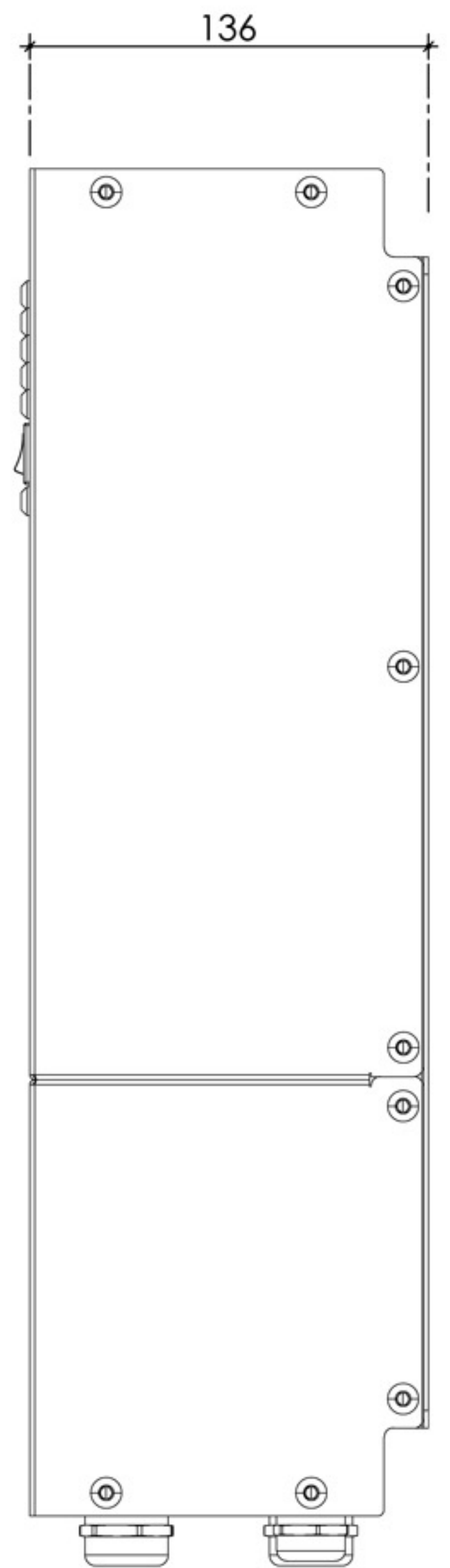
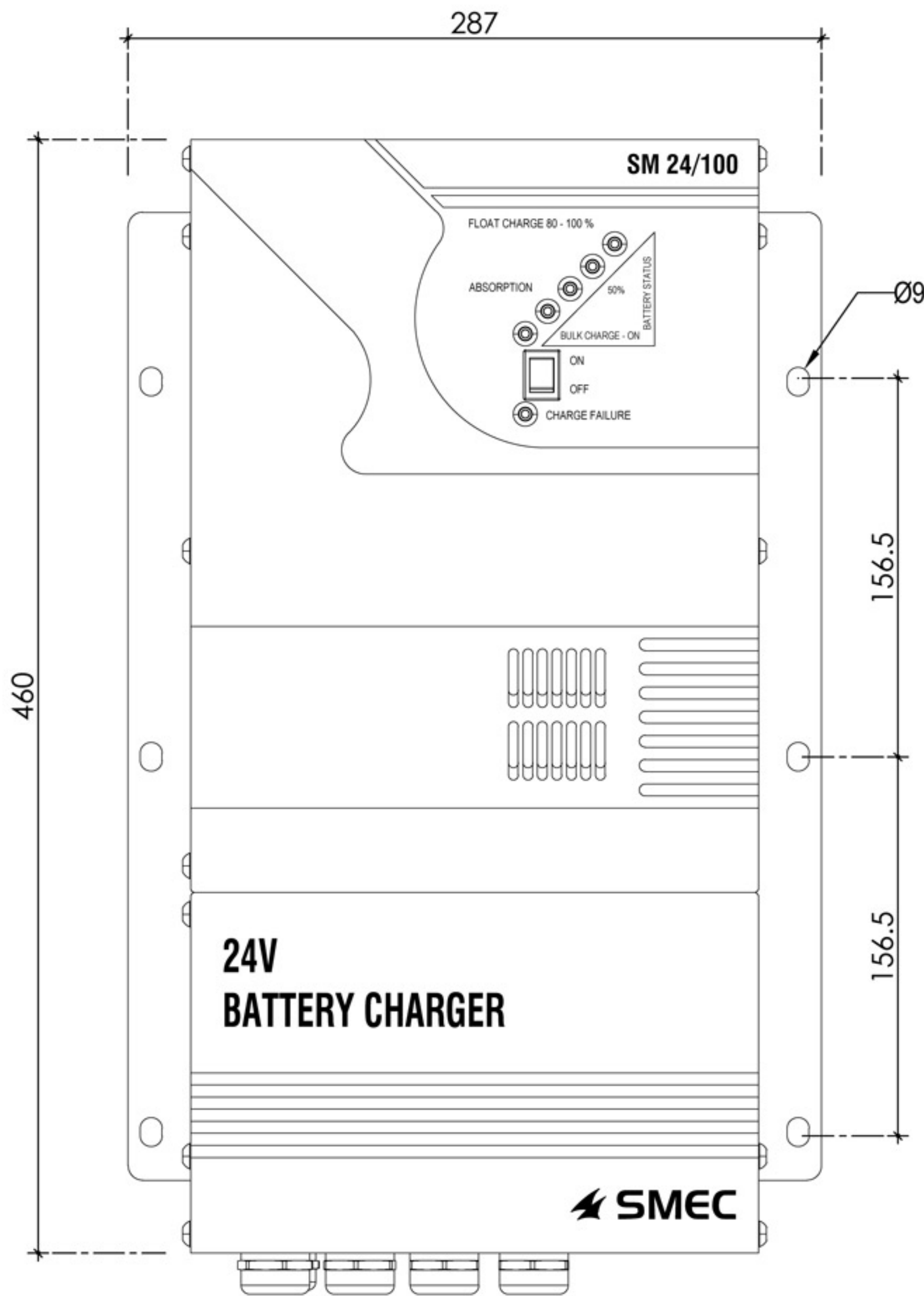
The battery charger is a full-automatic high efficiency battery charger/rectifier which features a family of advanced quality battery chargers. This not only charges batteries rapidly and safely also can be used as a rectifier to provide rated supply online to the connected consumers. In addition, the Charger is secured against short circuit, overload and high temperatures in marine environment

General specifications

Nominal output voltage	-	24 V DC
Total charge current	-	100 A
Number of battery outlets	-	1
Battery capacity range	-	200-1000 Ah
Nominal input voltage	-	115/230 V AC 50/60 Hz
Input voltage range	-	± 10%
Power supply mode	-	Yes
Display/read-out	-	LED display
Galvanic isolation	-	Yes
Dimensions,	-	328 X 415 X 143
Weight	-	8.65 Kg

Technical specifications

Charge characteristic	-	3 Stage Charger
Charge Current Bulk	-	0-100A (Adjustable)
Charge voltage Absorption	-	28.5 V
Absorption time	-	1 – 2
Charge voltage Float	-	26.5 V
Temperature sensor requirement)	-	Optional (as per customer
DC voltage compensation Adjustable	-	0.3 V (Cable compensation)
Full load consumption	-	3 KW Max
Current Control function	-	Yes Adjustable
Temperature range (ambient temp.)	-	0-55 deg C
Cooling	-	Forced Air Cooling
Protection degree	-	IP 23
Protections	-	Over Voltage, Over current, Overload, Over temperature, Short Circuit



DIMENSIONS	
LENGTH	287 mm
BREADTH	136 mm
HEIGHT	460 mm
WEIGHT	8.65 Kg (Approx)

* ALL DIMENSIONS ARE IN MM